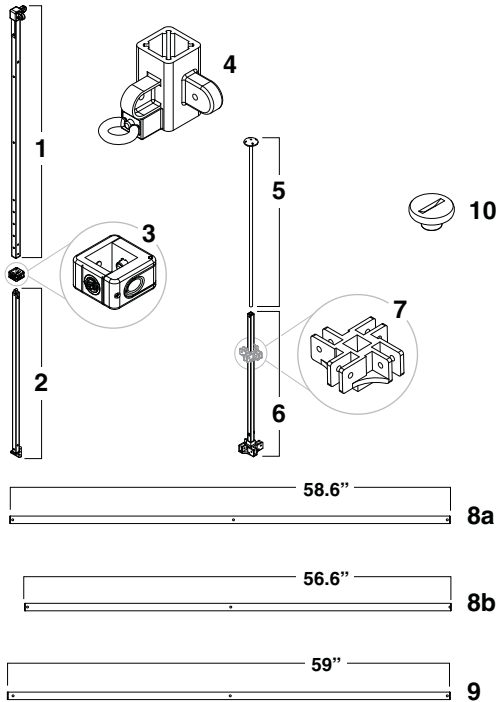




EC2HSF1010W - High Strength Steel



Item Number

Dealer

List

EC2HSF1010W

(Eclipse™ II, 10x10 High Strength Steel f

- (1) - **EC2HSPOL62TGW** _____
(outer leg, white, steel)
- (2) - **EC2HSPIL40TW** _____
(inner leg, white, steel)
- (3) - **EC2HSPTGW** _____
(toggle, white)
- (4) - **EC2HSPSLPPW** _____
(slider, pull-pin, white)
- (5) - **EC2HSPPPW** _____
(peak pole, white)
- (6) - **EC2HSPPBW** _____
(peak beam, white)
- (7) - **EC2HSPPSW** _____
(peak slider, white)
- (8a) - **EC2HSPTR2239W** _____
(peak truss, steel - 58")
- (8b) - **EC2HSPTR2238W** _____
(peak truss, steel - 56")
- (9) - **EC2HSPTR2240W** _____
(outer truss, steel - 59")
- (10) - **EC2PTAN2303** _____
(top attachment nut)

EC2HSPNBK

(nut and bolt kit, white, steel - not shown)

CBPR10BK

(cover bag, black - not shown)

