



WHAT'S IN THE BOX

Your Gear Shelf™ Includes: (1) Gear Shelf and (1) Carry Bag

SHELTER SET UP

NOTE: This accessory is intended to be installed in the corner of your E-Z UP® shelter, Camping Cube™ or Screen Cube™.

1. Completely set up your E-Z UP® shelter product in the area that you intend to shade according to the owner's manual instructions, leaving at its lowest height setting.
2. Locate the left **FXT Clip** on the Gear Shelf. (Fig. A) Attach FXT Clip to your shelter truss system.

NOTE: Step 3 will be different dependent on shelter

3. Locate the center FXT Clip on the Gear Shelf.

Cross Truss Shelters

1) Attach FXT Clip to the **FXT Loop** on the top truss. (Fig. B)

Open Truss Shelters

1) Attach FXT Clip to the **Top Center Truss**. (Fig. C)

4. Locate the right FXT Clip on the Gear Shelf. (Fig. D) Attach FXT Clip to your shelter truss system.
5. Tighten or loosen **Adjustment Straps** to achieve best fitment. (Fig. E)
6. Locate **Toggle & Loop** on the lower backside of the Gear Shelf. Wrap around frame leg and insert toggle in loop to secure. (Fig. F)
7. Raise your shelter to your preferred height.

TAKE DOWN

1. Repeat steps in reverse of assembly.

CARE & MAINTENANCE

- Use a mild soap (not detergent) and plenty of water for cleaning. Let the E-Z UP® Gear Shelf™ dry completely before closing or storing to avoid mildew.
- Store in the Carry Bag Provided.

Instructions for Gear Shelf™

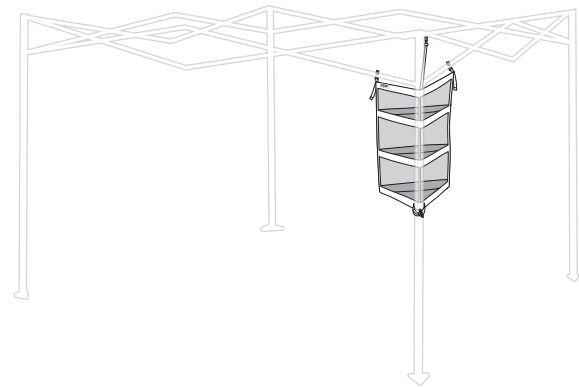


Fig. A

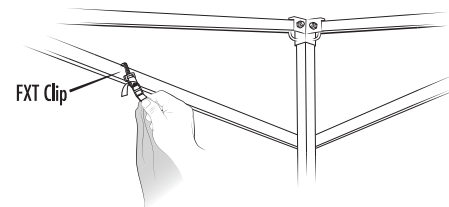


Fig. B

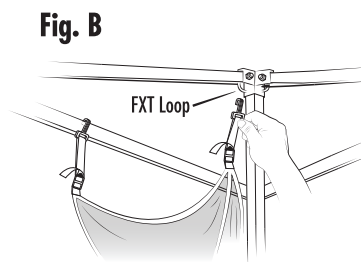


Fig. C

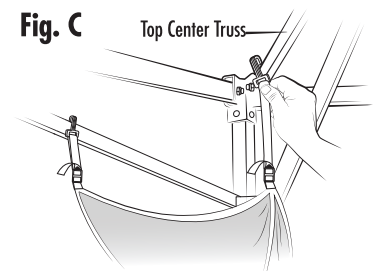


Fig. D

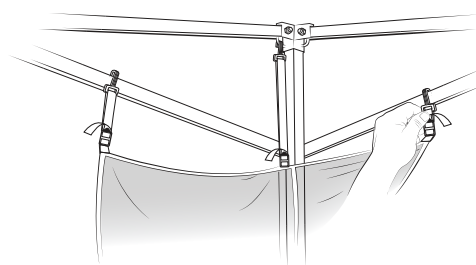


Fig. E

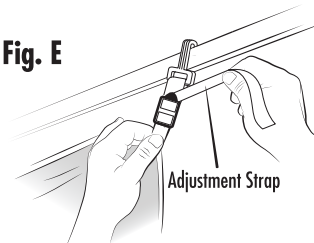
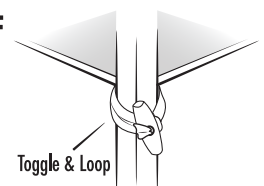


Fig. F



© Copyright 2017 International E-Z UP, Inc. USA. All rights reserved.

INTERNATIONAL E-Z UP, INC.
1900 Second St. Norco, California 92860

800-45-SHADE

The #1 Instant Shelter® Brand in the World

ezup.com



WHAT'S IN THE BOX

Your Gear Shelf™ Includes: (1) Gear Shelf and (1) Carry Bag

CAMPING CUBE™ SCREEN CUBE™ SET UP

NOTE: This accessory is intended to be installed in the corner of your E-Z UP® shelter, Camping Cube™ or Screen Cube™.

1. Completely set up your E-Z UP® Instant Shelter® in the area that you intend to shade according to the owner's manual instructions, leaving at its lowest height setting.
2. Locate the left FXT Clip on the Gear Shelf. (Fig. A) Attach FXT Clip to your O Ring Hanger* as illustrated.
3. Locate the center FXT Clip on the Gear Shelf. Attach FXT Clip to the center O Ring Hanger*. (Fig. B)
4. Locate the right FXT Clip on the Gear Shelf. Attach FXT Clip to your O Ring Hanger* as illustrated. (Fig. C)
5. Tighten or loosen Adjustment Straps to achieve best fitment. (Fig. E)
6. Raise your shelter to your preferred height.

* Important Information:

- Interior O Ring Hanger(s) not to exceed 5lb. hanging weight.

TAKE DOWN

1. Repeat steps in reverse of assembly.

CARE & MAINTENANCE

- Use a mild soap (not detergent) and plenty of water for cleaning. Let the E-Z UP® Gear Shelf™ dry completely before closing or storing to avoid mildew.
- Store in the Carry Bag Provided.

Instructions for Gear Shelf™

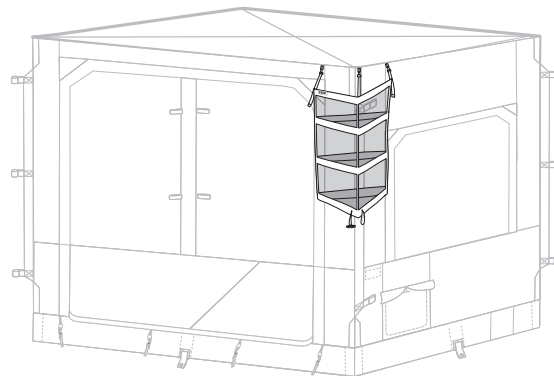


Fig. A

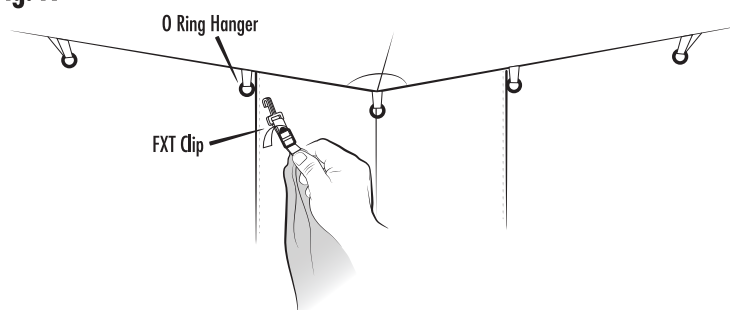


Fig. B

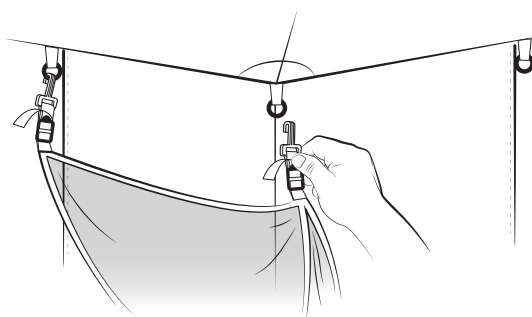


Fig. C

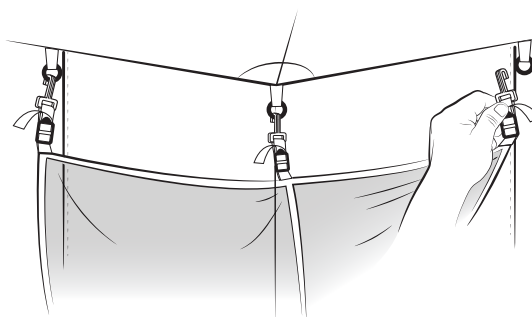
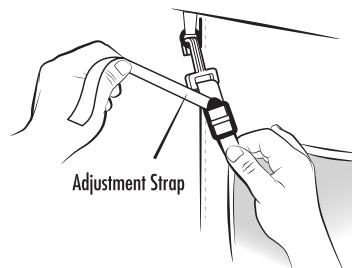


Fig. D



© Copyright 2017 International E-Z UP, Inc. USA. All rights reserved.

INTERNATIONAL E-Z UP, INC.
1900 Second St. Norco, California 92860

800-45-SHADE

The #1 Instant Shelter® Brand in the World

ezup.com