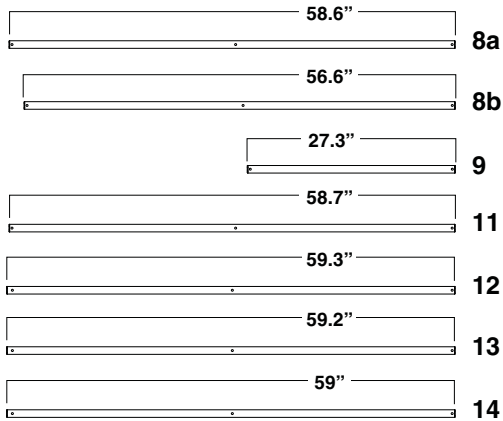
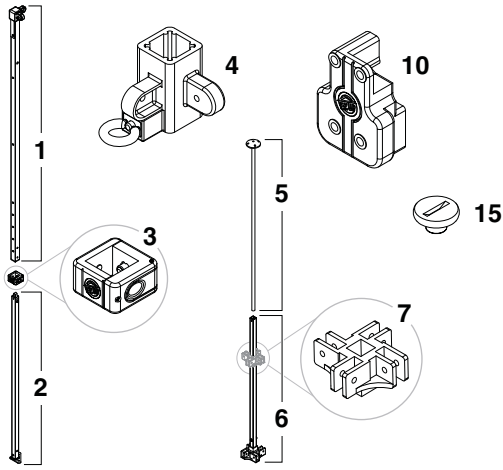




EC2HSF1015W - High Strength Steel



Item Number

EC2HSF1015W

(Eclipse™ II, 10x15 High Strength Steel frame - 80 lbs.)

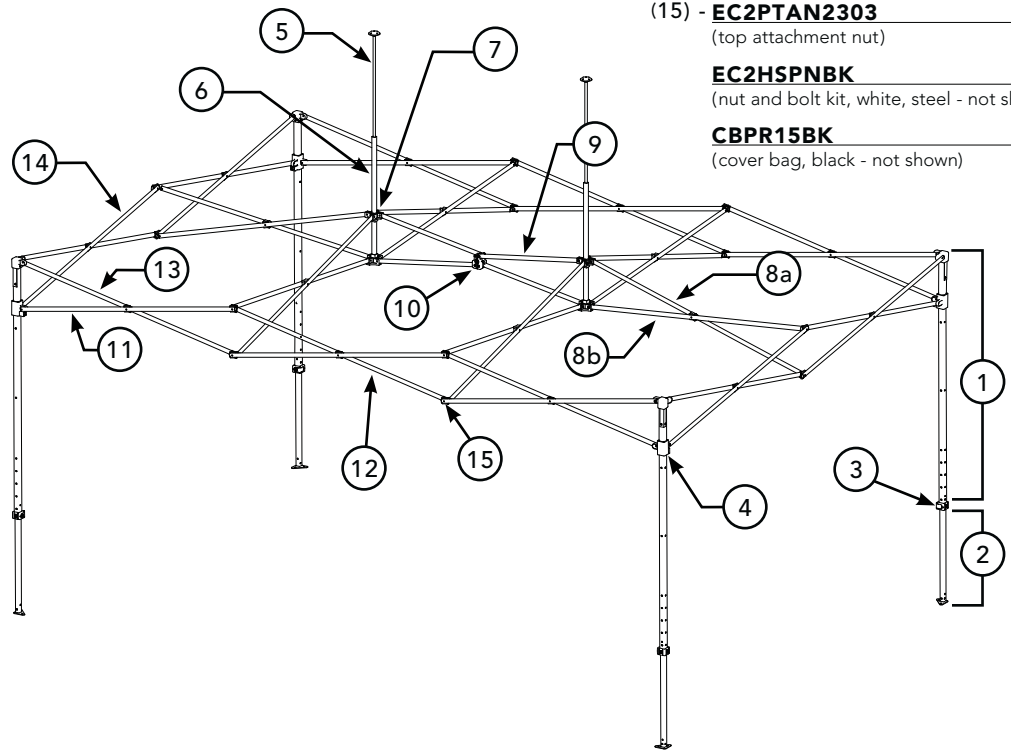
- (1) - **EC2HSPOL62TGW** _____
(outer leg, white, steel)
- (2) - **EC2HSPIL40TW** _____
(inner leg, white, steel)
- (3) - **EC2HSPTGW** _____
(toggle, white)
- (4) - **EC2HSPSLPPW** _____
(slider, pull-pin, white)
- (5) - **EC2HSPPPW** _____
(peak pole, white)
- (6) - **EC2HSPPBW** _____
(peak beam, white)
- (7) - **EC2HSPPSW** _____
(peak slider, white)
- (8a) - **EC2HSPTR2239W** _____
(peak truss, steel - 58")
- (8b) - **EC2HSPTR2238W** _____
(peak truss, steel - 56")
- (9) - **EC2HSPTR2293W** _____
(middle truss, steel - 27")
- (10) - **EC2HSPPB15W** _____
(pivot bracket, white)
- (11) - **EC2HSPTR3811W** _____
(outer side truss, steel - 58")
- (12) - **EC2HSPTR2572W** _____
(middle outer side truss, steel - 59")
- (13) - **EC2HSPTR3810W** _____
(outer side truss, steel - 59")
- (14) - **EC2HSPTR2240W** _____
(outer truss, steel - 59")
- (15) - **EC2PTAN2303** _____
(top attachment nut)

EC2HSPNBK

(nut and bolt kit, white, steel - not shown)

CBPR15BK

(cover bag, black - not shown)



World's Fastest