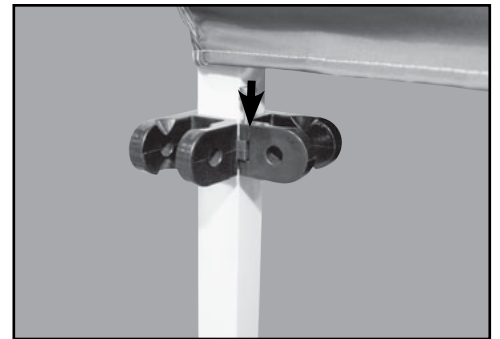
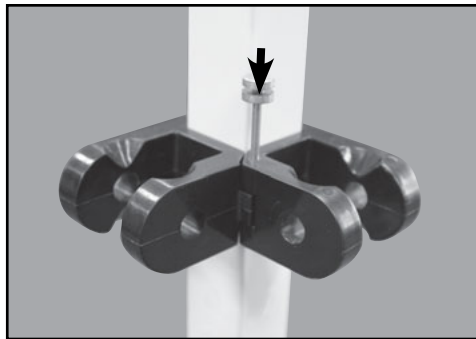
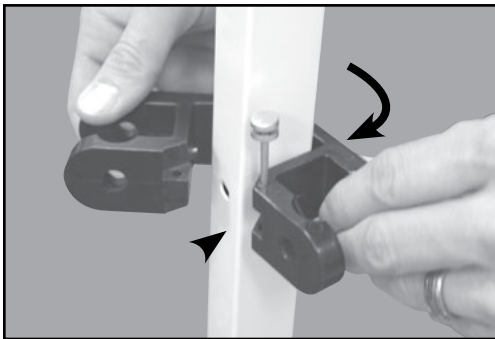




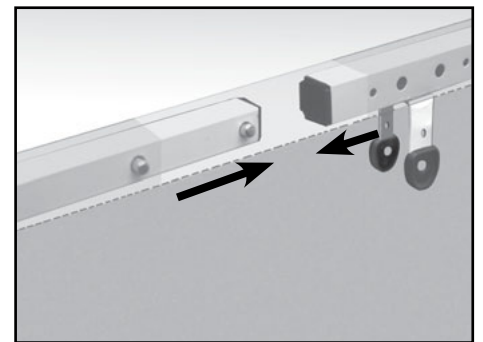
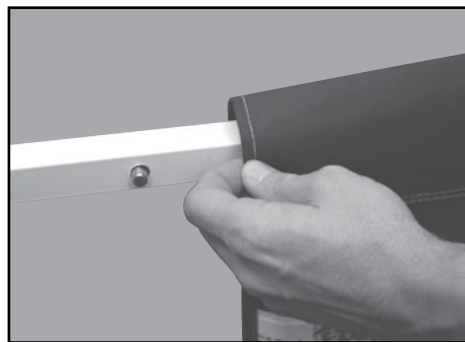
INSTRUCTIONS FOR SKY BANNER™ ACCESSORY

What's in the Box: (2) Fixed Connector Brackets, (2) Part A - Sky Banner frames, (2) Part B - Sky Banner frames

Step 1. Make sure the shelter is fully opened and elevated to the desired height. Open the Fixed Connector Bracket by lifting lock pin up and opening jaws. Insert the guide tab on the bracket into the hole of the leg just below the valance. Wrap bracket fully around the leg, pressing the locking pin into place.



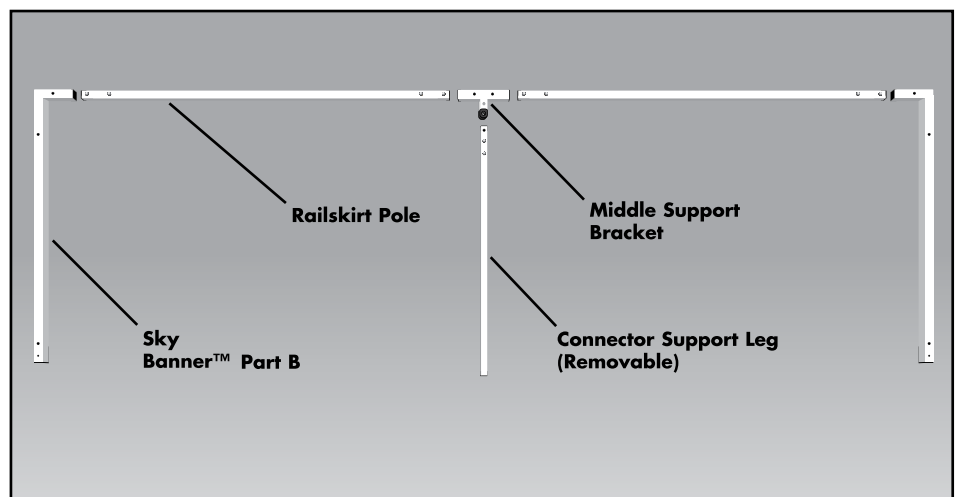
Step 2. Assemble the railskirt hardware (sold separately) and attach the railskirt pole to the connector support leg. Use tools to detach the leg from the middle support bracket. (Removal not required for the POP™ II railskirt hardware.)



Step 3. Install the Sky Banner™ fabric and attach the remaining railskirt pole to the middle support bracket using snap buttons.

Step 4. Attach each Sky Banner™ Part B to the opposite ends of the railskirt poles.

Step 5. Secure the fabric to the Sky Banner™ frame by pressing together the quick attachment straps located on the outer edges of the banner.

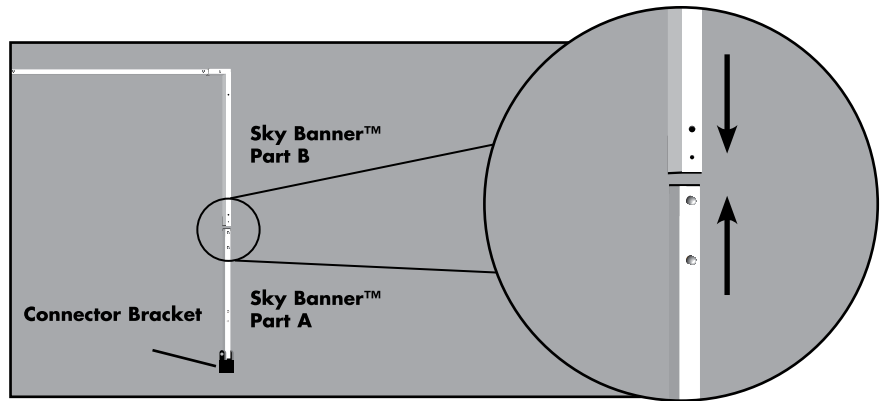


CONTINUED ➔

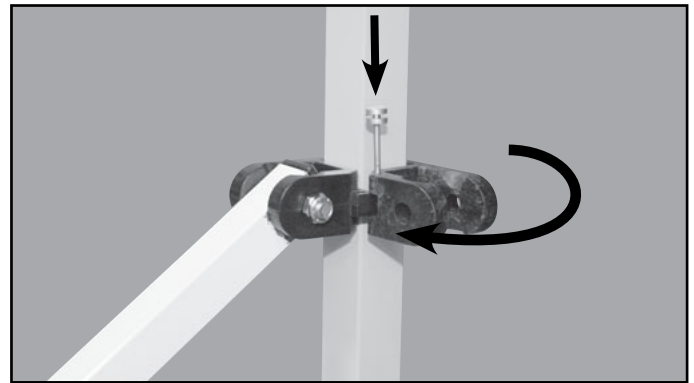


INSTRUCTIONS FOR Sky Banner™ ACCESSORY CONT.

Step 6. Insert the Sky Banner™ Part A into the Sky Banner™ Part B by depressing the snap button until it engages into the hole. Repeat on opposite side.



Step 7. Attach the Connector Brackets onto both shelter frame legs approximately 16" below the already installed fixed connector bracket.



Step 8. Once attached and secured, elevate the Sky Banner™ frame with a partner. Lock the frame into the top fixed connector bracket by depressing the quad release button and sliding it until it engages the hole of the fixed connector bracket.



Note: To take Sky Banner™ down, follow steps in reverse order.

INTERNATIONAL E-Z UP, INC.

1900 Second Street, Norco, California 92860 USA

Phone (951) 279-0999 • Fax (951) 279-0888 ezup.com

800-45 SHADE
800-457-4233