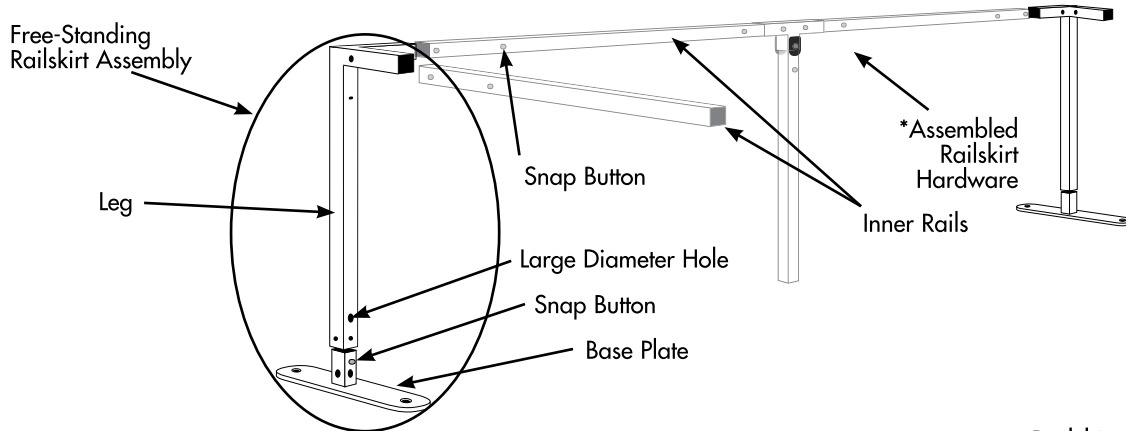




INSTRUCTIONS FOR FREE-STANDING RAILSKIRT HARDWARE (DOUBLE)

What's in the Box: (2) Free-Standing Railskirt Double Mount Legs, (2) Base Plates



• Railskirt Hardware Sold Separately

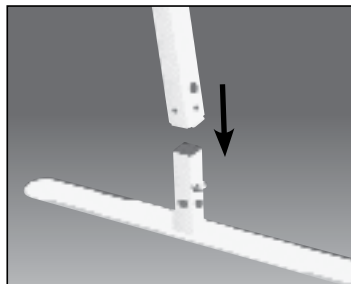
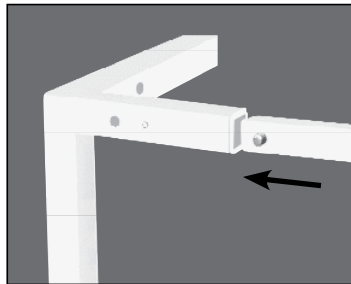
Step 1. Follow the instructions included with your railskirt for hardware assembly.

Step 2. Line up the snap button on the base plate with the larger diameter hole of the leg. Attach the base plate to each leg by depressing the snap button on the base plate and inserting it into the longer end of the leg until the snap button engages.

Step 3. Attach an inner rail to each leg by depressing the snap button of the inner rail and inserting the inner rail into the short end of the leg until the snap button engages.

Step 4. Repeat steps 1 and 2 on opposite side of rail assembly.

Bonus: Add on more railskirt hardware assemblies to extend your booth space.



Step 5. Attach the railskirt fabric to the Free-Standing Railskirt by wrapping the quick attachment straps around the legs and firmly pressing straps together.

Note: To disassemble, repeat all steps in reverse order.



Fabric Care:

- Use a mild soap (not detergent) and plenty of water for cleaning.
- Let the E-Z UP® Instant Shelter® top, frame and railskirts dry completely before closing or storing to avoid mildew.

Important Information:

- Always stake or weigh down your shelter. Do not use in any potentially windy or rainy weather. Wind and rain can damage the E-Z UP® Instant Shelter® product and may also result in injury to you or others. Therefore, do not rely on shelter for protection in heavy or prolonged rain storms.
- The E-Z UP® Instant Shelter® product is designed as a temporary shelter. Do not leave up for extended periods.
- Use caution when handling the E-Z UP® folding frame. Avoid pinching hands or fingers as frame opens or closes.
- Do not use shelter in a lightning storm.
- Do not leave your E-Z UP® Instant Shelter® product unattended.
- Do not build fires within shelter enclosure.

INTERNATIONAL E-Z UP, INC.

1900 Second Street, Norco, California 92860 USA

Phone (951) 279-0999 • Fax (951) 279-0888

ezup.com

800-45 SHADE
800-457-4233